

Honeywell | Lyric T6R Smart Thermostat



EN Install Guide

Compatible with 24-230V on/off and OpenTherm® appliances such as gas boilers, combi-boilers and heat pump. Also works with zone valve applications but not with electric heating (240V).

Manufactured for and on behalf of the Environmental and Energy Solutions Division of Honeywell Technologies Sàrl, ACS-ECC EMEA, Z.A. La Pièce 16, 1180 Rolle, Switzerland by its Authorised Representative Honeywell Inc.



Need help? For assistance please visit: getconnected.honeywell.com

Honeywell Control Systems Ltd.
Skimped Hill Lane,
Bracknell,
Berkshire
RG12 1EB

Approvals

Conforms to protection requirements of the following directives: **EMC: 2014/30/EU**, **LVD: 2014/35/EU** and **R&TTE: 1995/5/EC**. Hereby, Honeywell, declares that this thermostat is in compliance with the essential requirements and other relevant provisions of Directive 2014/53/EU.

ErP: Class V (+3%), (EU) 811/2013 Receiver Category: 2



Must be installed by a competent person!

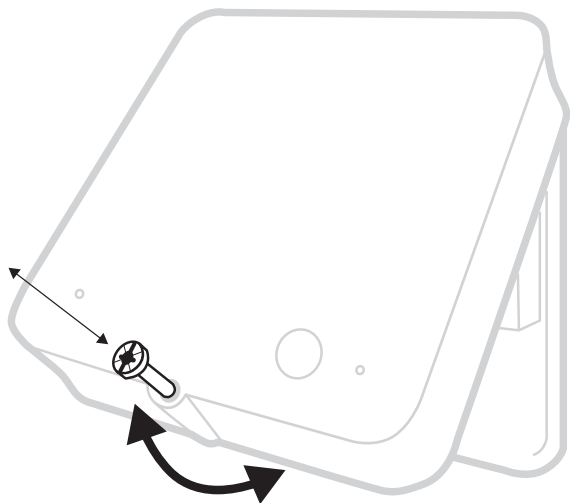
Read these instructions carefully. Failure to follow these instructions can damage the product or cause a hazardous condition.

2 Prepare Receiver Box for installation

Before installation of the Receiver Box

Find a suitable location near to the boiler. Leave at least 30cm distance from any metal objects including wallboxes and boiler housing.

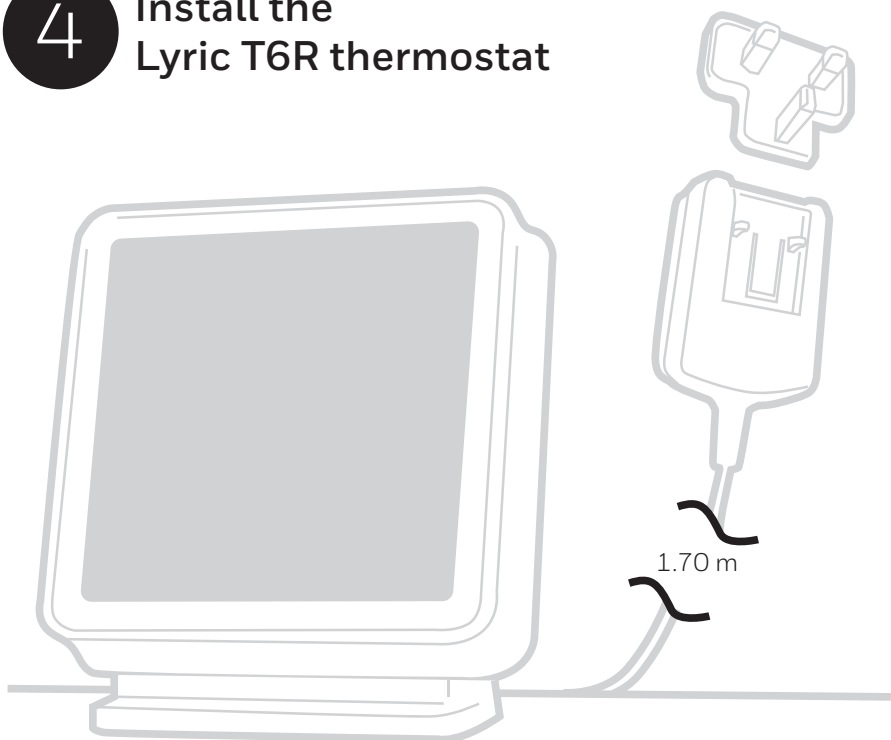
Loosen the front screw to remove cover or tighten it when the cover is back in place.



Needed during installation:

- Cable with 2 wires from the boiler to Receiver Box.
- The Receiver Box requires 230V power

4 Install the Lyric T6R thermostat

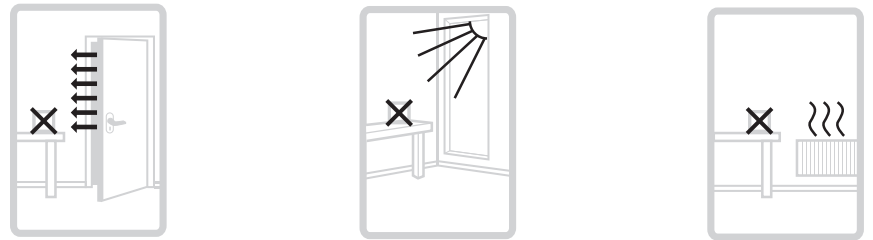


Choose the appropriate plug.
Place the thermostat on an even, horizontal surface and plug it in.

1 Turn OFF the power and remove the old thermostat

To ensure your safety, **always make sure mains power is switched OFF** before accessing wiring.

In case of removing the old thermostat be aware that the **existing wiring will no longer be used**.



The T6R thermostat should not be placed near draughts, in direct sunlight or near heat sources.



WEEE Directive 2012/19/EC Waste Electrical and Electronic Equipment directive

At the end of the product life dispose of the packaging and product in a corresponding recycling centre. Do not dispose of the unit with the usual domestic refuse. Do not burn the product.

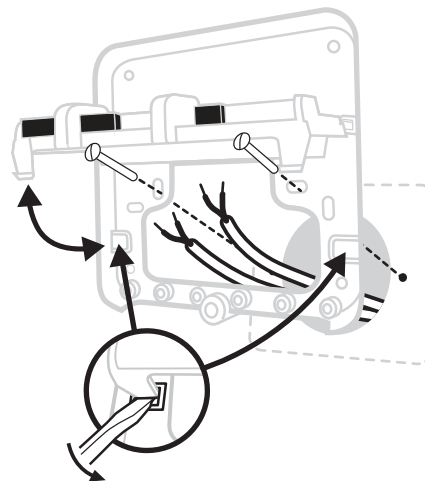
3 Install the Receiver Box



Please refer to the wiring diagrams over the page

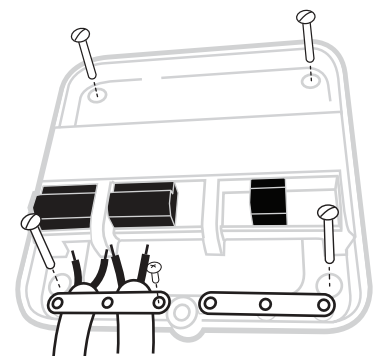
A) Wall box or Rear Wiring

Hinge open the terminal block flap to access the cables and wall box screw holes.



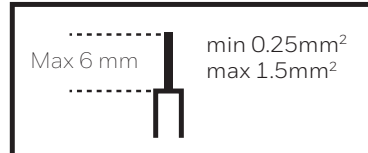
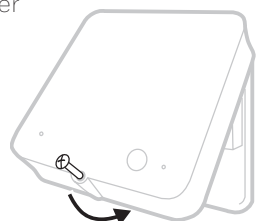
B) Surface wiring

Use the cable clamps to secure the surface wiring.



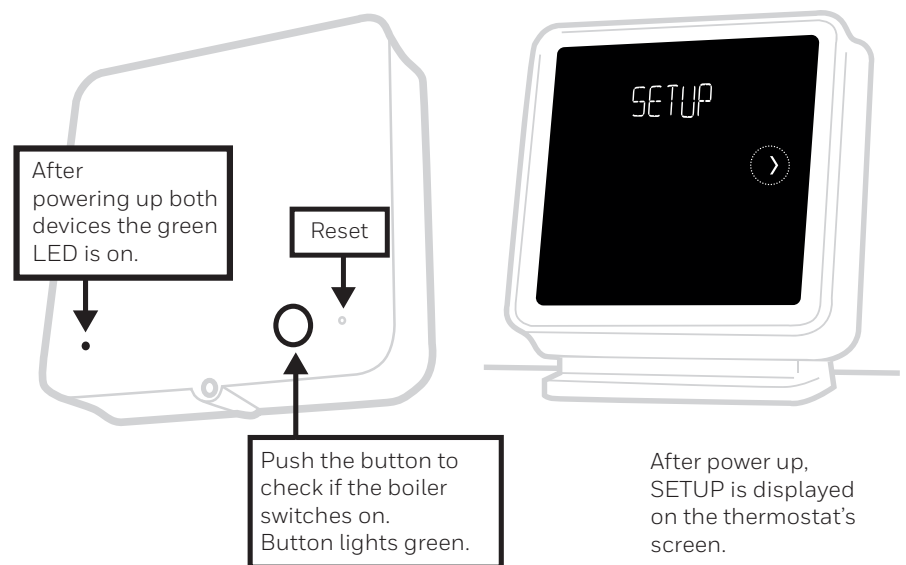
C) Replace the cover

Locate the hinges at the top of the cover and wall plate, close the cover and secure with the screw.



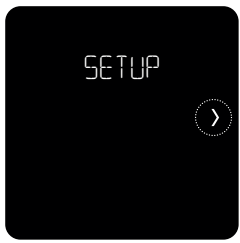
5 Complete installation

Turn ON mains power to the Heating Appliance and Receiver Box.



To rebind the units, reset the Receiver box, then press the button for 3 seconds. The LED on the receiver box will blink yellow to indicate the box is in binding mode. On the thermostat press for 5 seconds to enter the advanced menu. Navigate to Binding, clear the current binding then bind the device again.

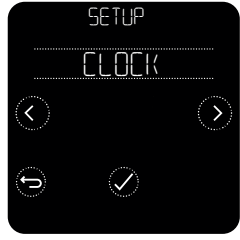
6 Set Up and configuration



1) Touch to begin setting up the thermostat.



2) Select your language.

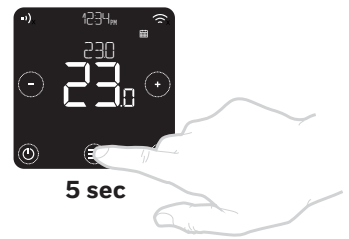


3) Set the clock format, time and date.



4) Touch to finalise setup. (to setup using the App is currently unsupported)

Once setup is completed, if you need to change more settings go to the advanced menu. To access the advanced menu press for 5 seconds.

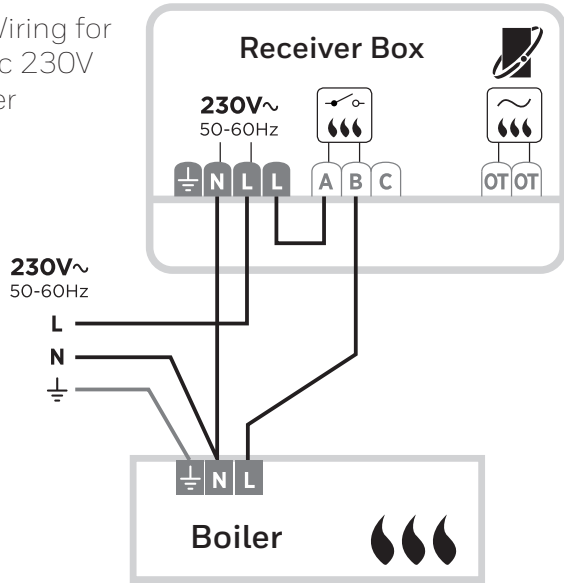


In the advanced menu the following settings can be adjusted:

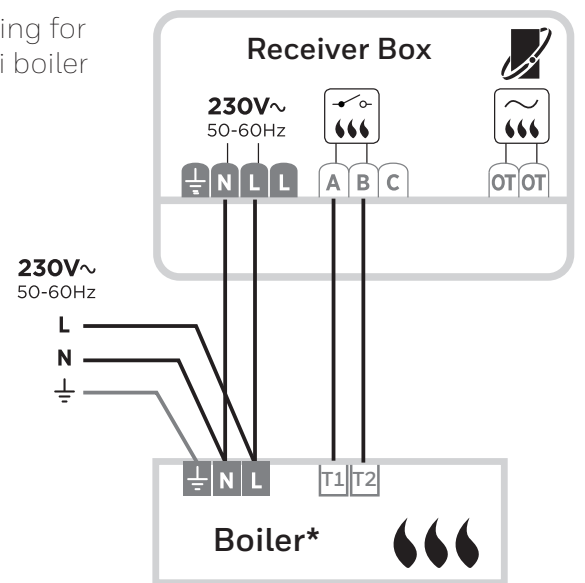
| Menu Item | Default | Options |
|--------------------|--|---|
| LANGUAGE | English | 0 = English, 1 = Français, 2 = Español, 3 = Deutsch, 4 = Nederlands, 5 = Italiano |
| OPENTHERM | - | OpenTherm boiler data when available |
| CYCLE RATE | 6 | 3, 6, 9 or 12 |
| MINIMUM ON TIME | 1 minute | 1, 2, 3, 4 or 5 minutes |
| HEAT RANGE | Min = 5.0°C Max = 35.0°C | Min: 5°C to 21°C, Max: 21°C to 35°C |
| SCHEDULE OPTIONS | Daily | 1 = Daily schedule, 2 = 5+2 days schedule |
| OPTIMISE | Opt. start OFF Opt. stop OFF | Opt. start: 0 = off, 1 = on, 2 = Delayed start Opt. stop: 0 = off, 1 = on |
| CLOCK | Format: 24h Time: --:-- Date: 01/09/16 | Clock format: 1 = 12h, 2 = 24h Setup time and date |
| LOW LOAD CONTROL | ON | 0 = off, 1 = on |
| TEMPERATURE OFFSET | 0.0°C | -1.5 °C to 1.5°C |
| BINDING | - | Bind , check RF and clear bind. |
| RESET | - | Factory, schedule, WiFi and HomeKit reset |
| FAILSAFE | OFF | 0 = off, 1 = on |

Wiring Diagrams

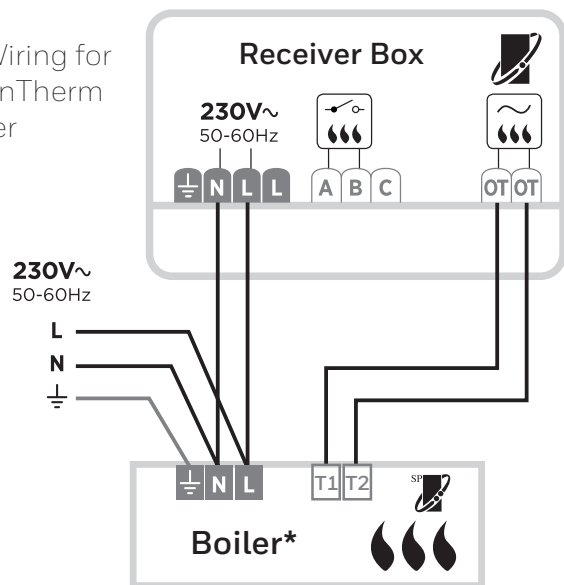
A) Wiring for basic 230V boiler



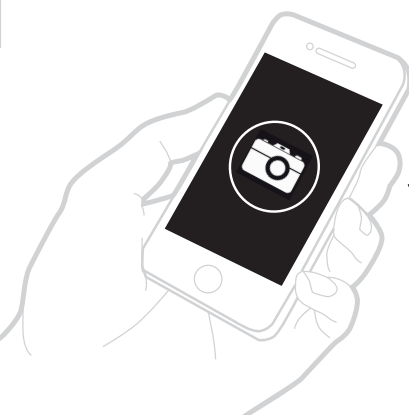
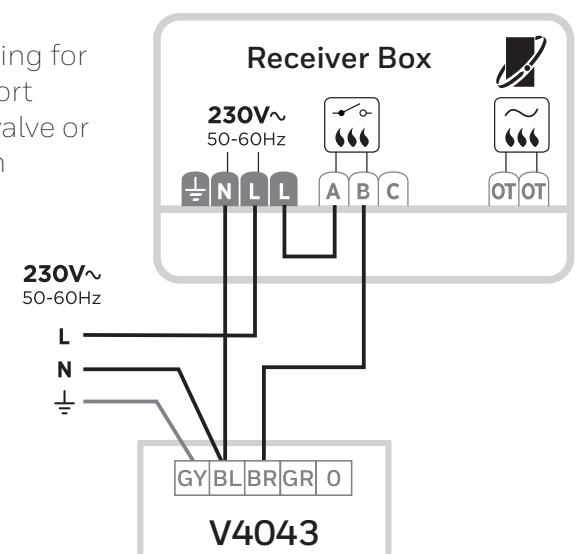
B) Wiring for Combi boiler



C) Wiring for OpenTherm boiler



D) Wiring for two-port zone valve or S-plan



For other wiring diagrams visit:



<http://www.honeywelluk.com/professional-zone/resource-centre/Wiring-Diagrams/>

* See boiler specifications for correct terminals